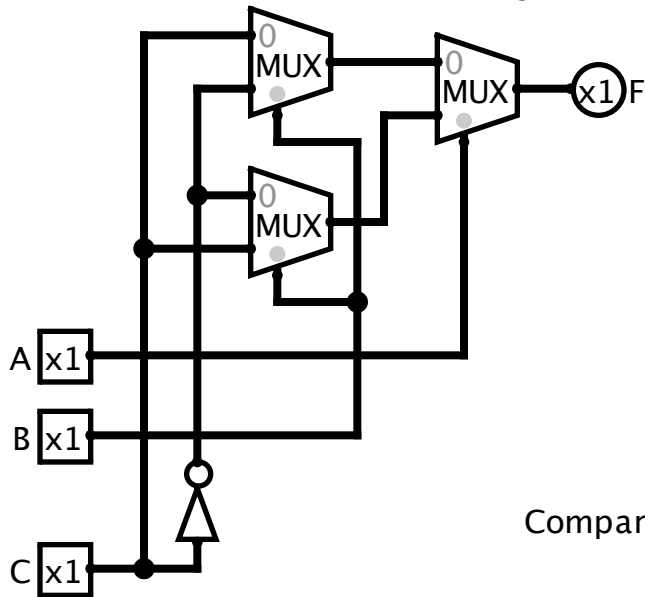


main (1 of 1)

1) What is the truth table for this function?

Do you recognize this function?



1) ABC	X
000	0
001	1
010	1
011	0
100	1
101	0
110	0
111	1

Compare to sample2.