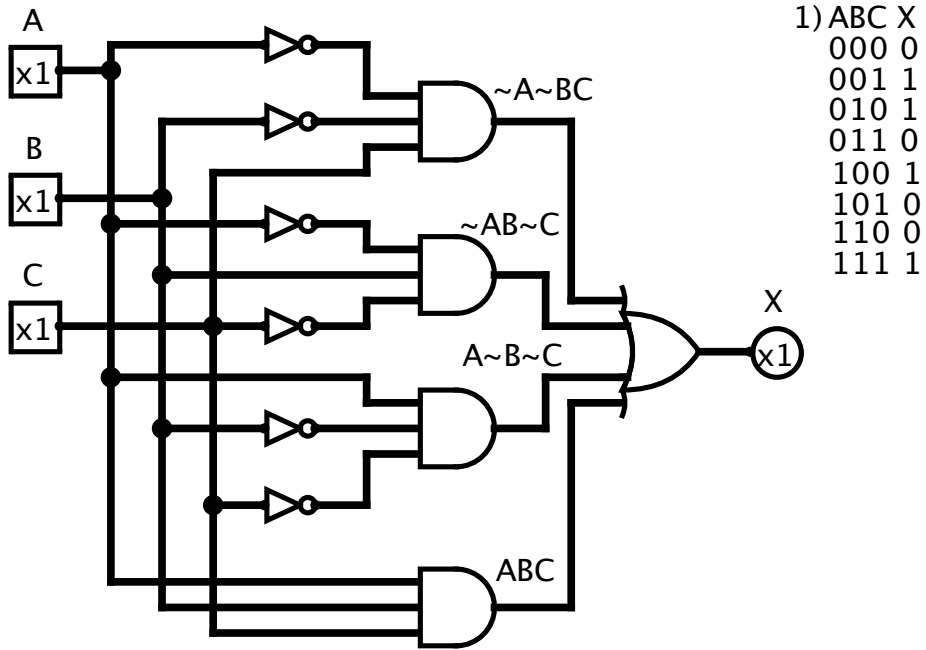


mystery (1 of 1)

- 1) What is the truth table for this function?
- 2) What is the canonical sum of products form (not simplified) from the truth table



2)  $X = \sim A \sim B C + \sim A B \sim C + A \sim B \sim C + ABC$